

## Dual Channel 0-10V Wall Switch

P/N: ZEROX2-NSW

ZeroX2-Tone is a dual slider wall switch with two 0-10V control channels for Tunable White and Dimming control. It is compatible with two channel LED Drivers and controllers. It offers an adjustable on field low-end trim for optimal performance. With a built-in relay, it requires no additional safety devices.



Tunable White



Dimmable  
0-100%



IT'S AS SIMPLE AS THAT.



Up to  
500W



Multi Gang  
3-Way



Standard  
Installation



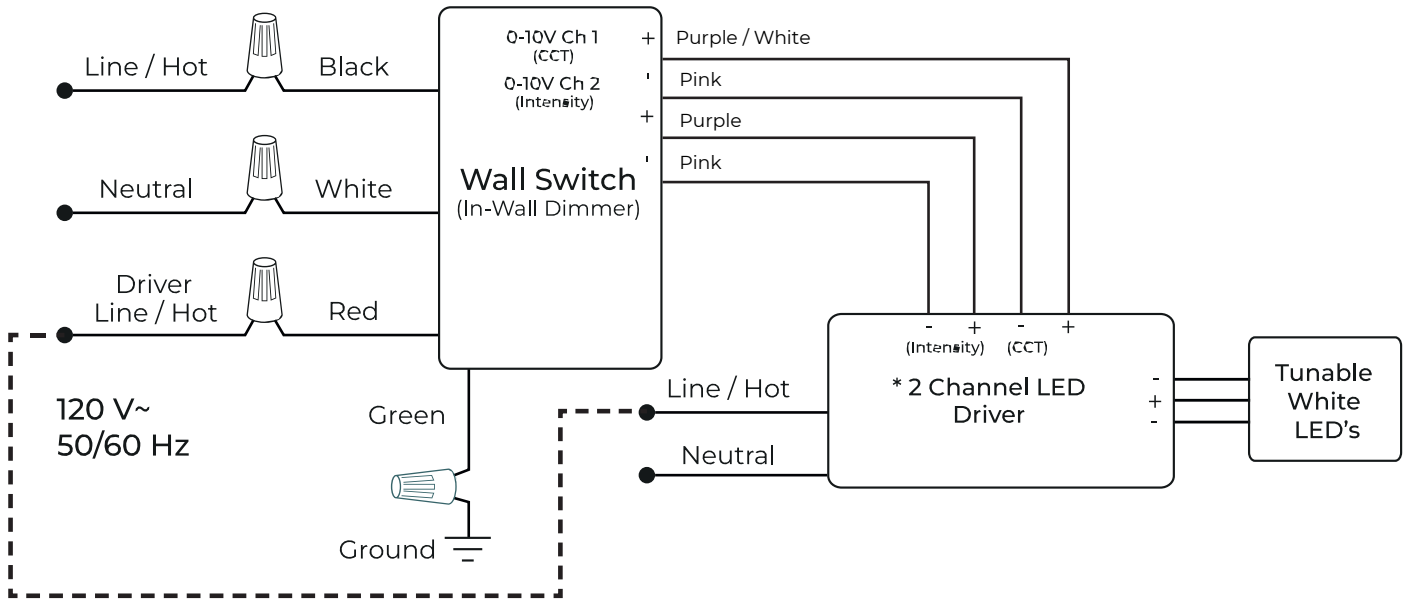
## Features & Benefit

- Dual Channel 0-10V in One Switch for Tunable White and Dimming Control
- Eliminates the Need for Two Separated Dimmers
- Smart Life - App / Voice Control
- Compatible with two Channel LED Drivers and Controllers
- Adjustable on-field Low and High-End Trimming
- UL Approved Under 1472 Standard
- Classic Design to Match Existing Style Switches
- Built-In Relay
- Fast Delivery
- Shipping out of NY

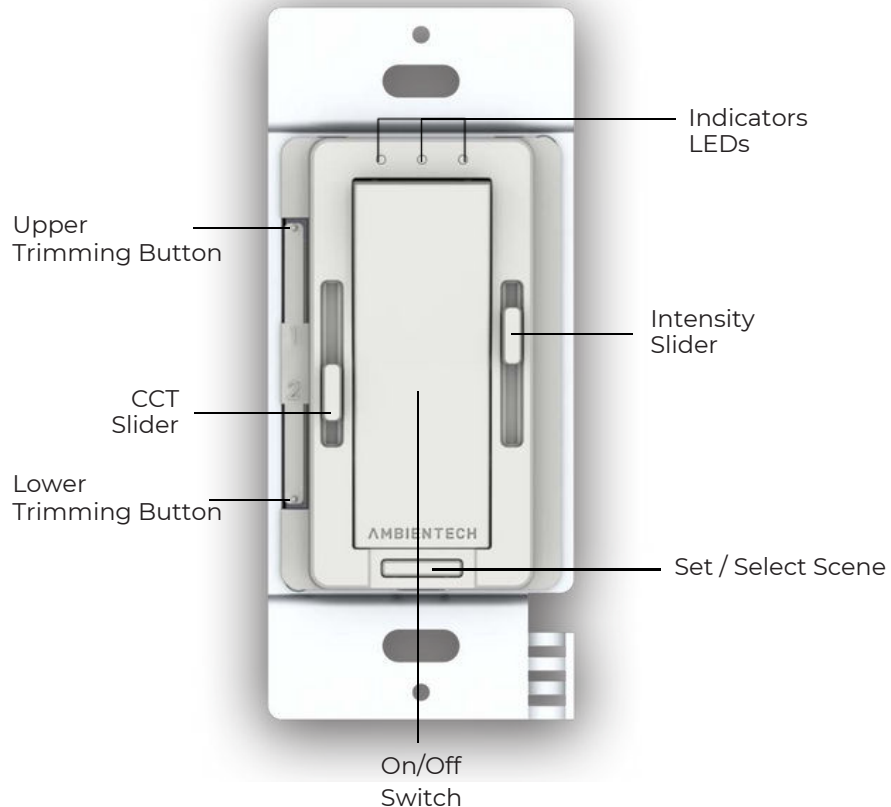


Wall Plate not included

## System Setup



## User Interface



# Electrical Specification

## Power & Ratings

Input	120 VAC ~ 50/60Hz
Max Load Hardwired	500W

## Compliance

UL Listed	UL1472 / CSA C22.2 184.1
FCC	Class B Part 15

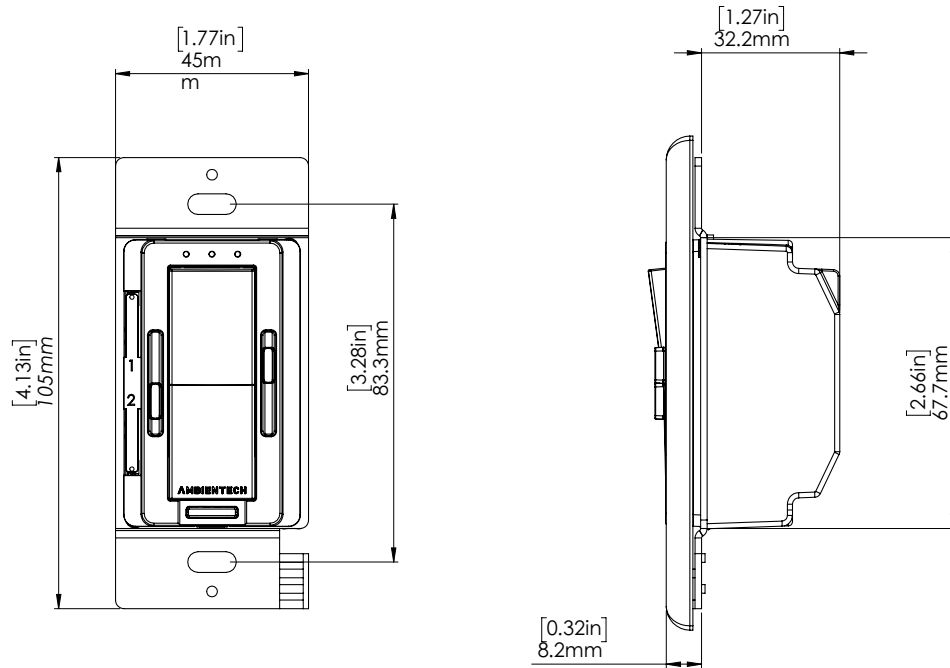
## Environmental

Ambient Operating Temp	-30 °C - + 40 °C / -86°F - + 104°F
------------------------	------------------------------------

## Dimming Performance

Dimming Protocol	0-10V
Control Type	Source / Sync
Control Channels	2
Dimming Curve	Linear

## Mechanical Specification



Note: Requires a U.S. wallbox 2in (64 mm) deep minimum.

Material	PC/ABS - 5VA Rating
Finish	White Glossy (Default)