



Splitter

P/N:ZRCC-100-WG

0-10V Constant Current Tunable White Controller

The Splitter Class 2 LED controller enables tunable white control with any 0-10V CC LED driver. The controller is installed between constant current LED driver and the tunable white LED load. Using a 0-10V signal, the Splitter offers independent CCT control with no interference with the LED drivers dimming performance. CCT shifting is soft and smooth ensuring compliance with IEEE and Title 24 Flicker Requirements.



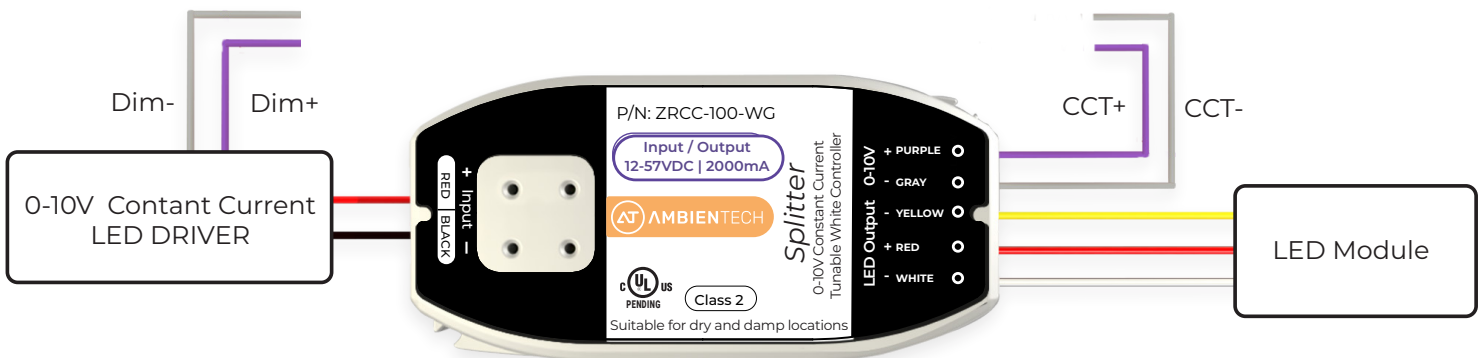
0-10V

Class 2

Input / Output
12-57VDC | 2000mA



Wiring Diagram



Features & Benefits

- Transform any 0-10V LED Fixture to Tunable White
- Compatible with any 0-10V Constant Current LED Driver
- Independent 0-10V CCT Control
- Compact Case with Lead Wires for Easy Installation
- Eliminates the need for Stocking Dual-Channel LED Drivers
- Wide Operating Window
- Class 2
- Compliance with IEEE and Title 24 Flicker Requirements
- Go Wireless with AmbientTech ZeroTone Dual Channel Smart Wall Switch

Specifications

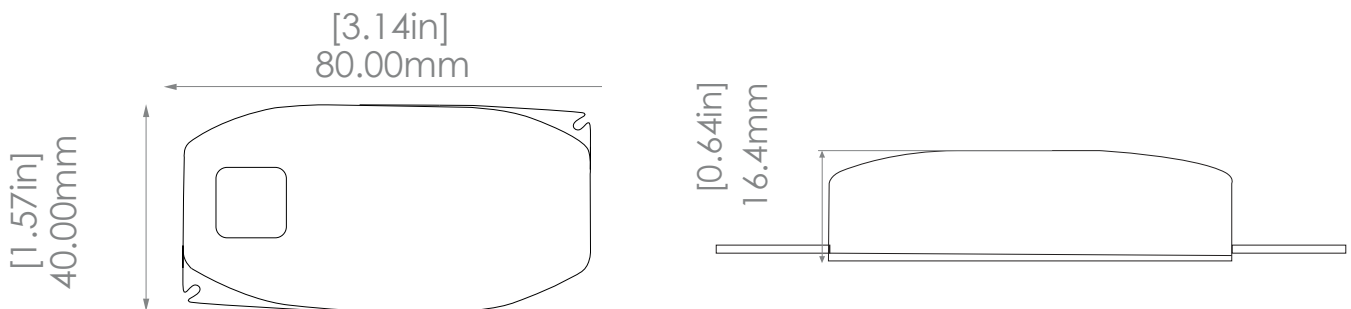
Electrical Specifications

Input / Output	Max Power	96W (Class 2)
	Voltage Range	12-57VDC
	Max Current	2000mA
Environmental	Ambient Operating Temp	-30 °C - + 40 °C / -86°F - + 104°F
	IP Rating	23

Control Specifications

Control Protocol	0-10V
CCT Range	0 - 100%
0-10V Range	0-11V
PWM	3000Hz (IEEE Compliant)
CCT Curve	Linear

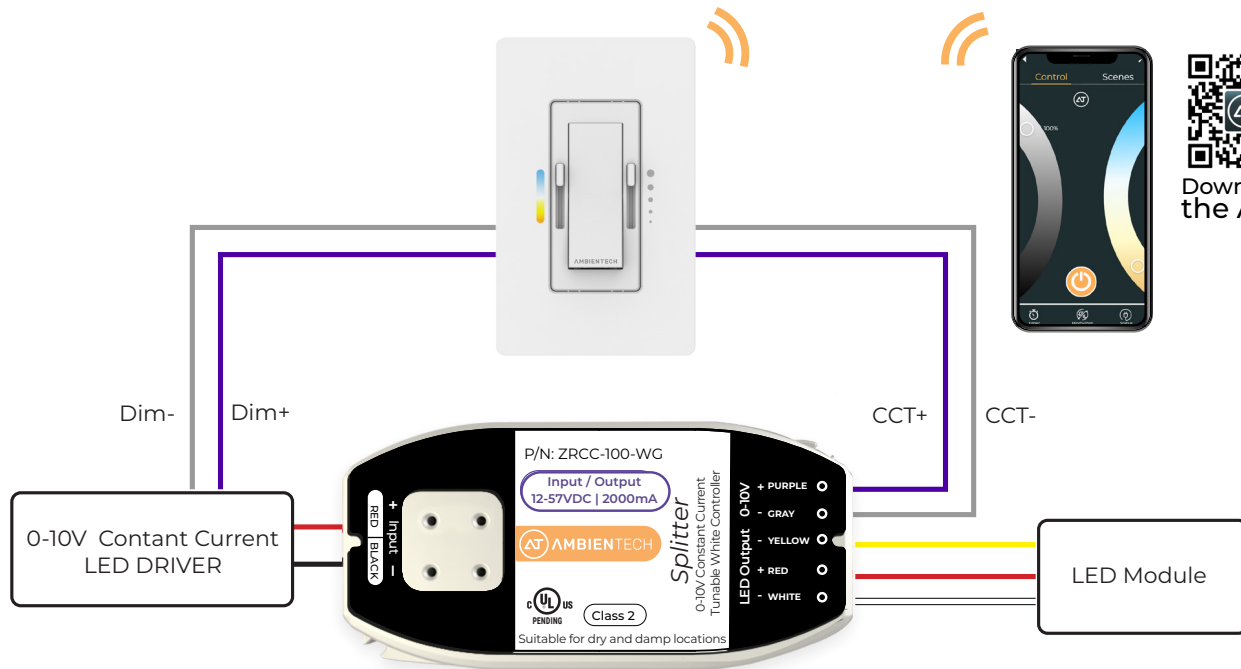
Mechanical Specifications



Wireless Dual Channel Wall Switch

Optional

P/N	Description
ZEROX2-NSW	0-10V Dual Channel Wall Switch
ZEROX2-NSW-SA	Wireless 0-10V Dual Channel Wall Switch



AT Graded App





WWW.AMBIENTECHINC.COM

Brooklyn Navy Yard
63 Flushing Avenue
Brooklyn, NY 11205

P: 347-334-6368
E: Sales@ambientechinc.com